



www.esbe.se

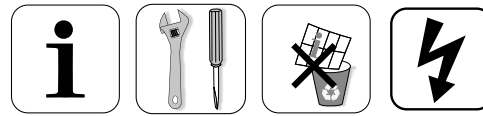


**SERIES 90**



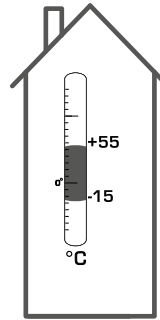
**NO.1 IN HYDRONIC SYSTEM CONTROL**

Mtrl.nr. 9814 01 50 • Ritn.nr. 3399 utg. G • Rev. 1101



Series 90

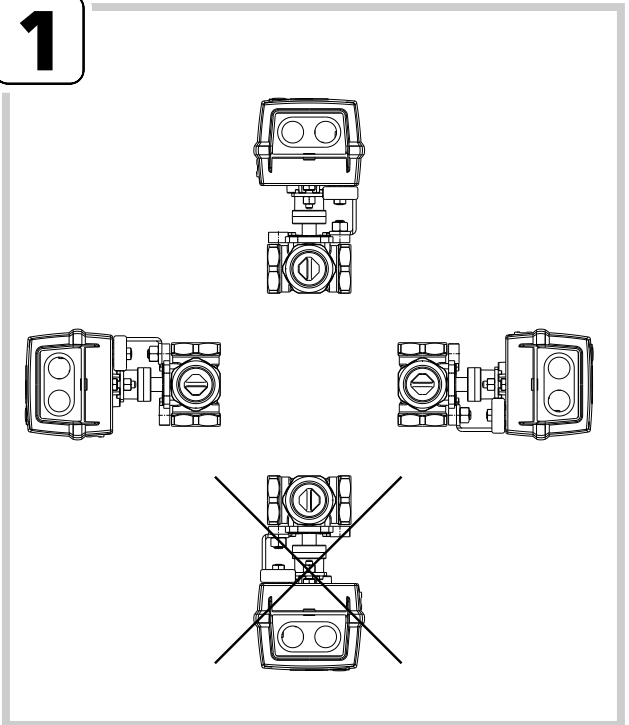
CE  
LVD 2006/95/EC  
EMC 89/336/EEC  
RoHS 2002/95/EEC

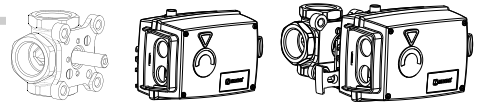


SERIES 90



**1**



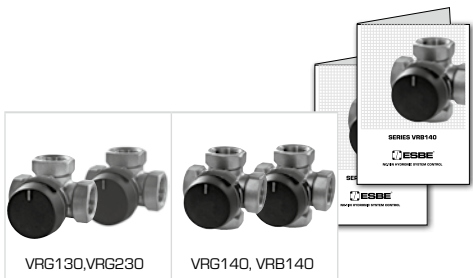


+



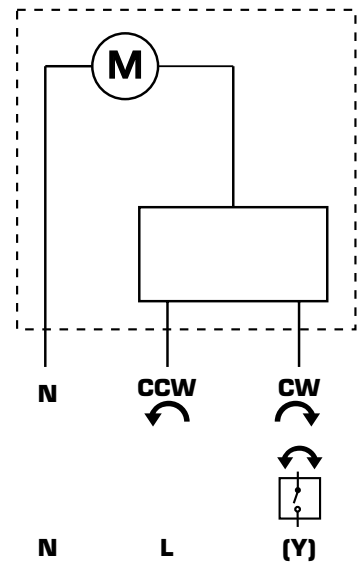
+

+

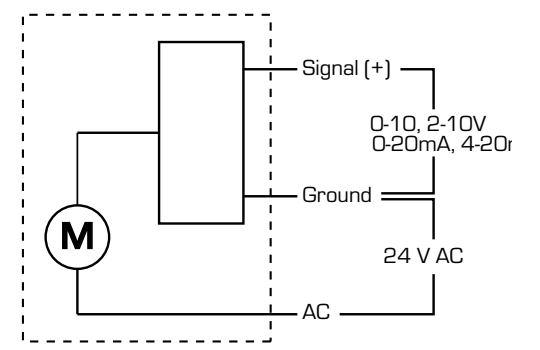


# 2

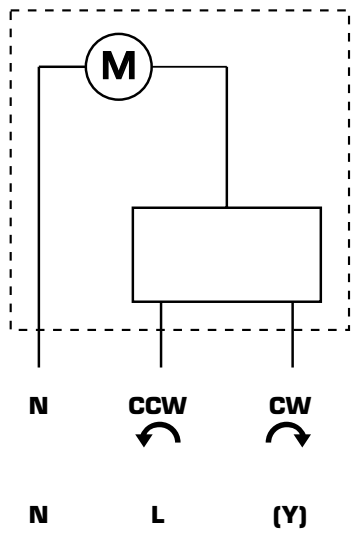
## 97 - 98



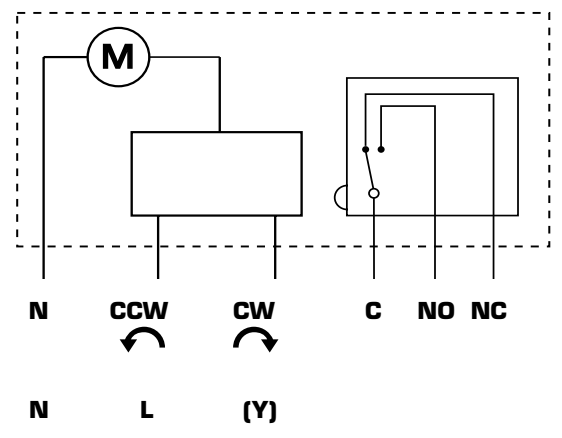
## 91P - 92P, 92P2, 92P4

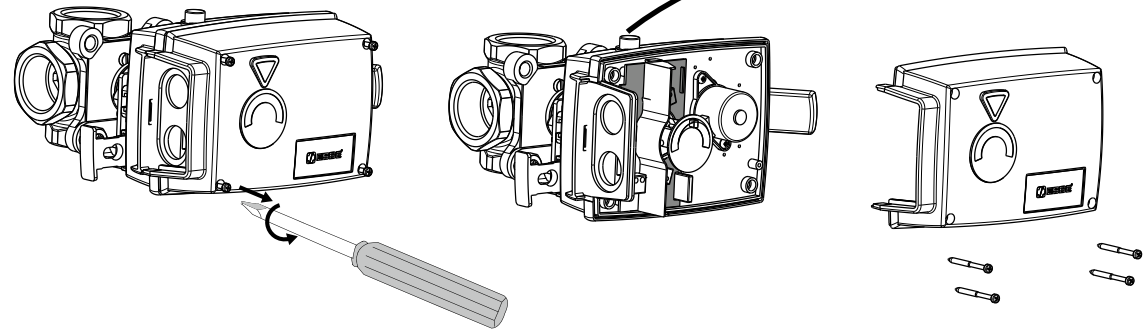
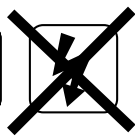


## 91 - 96, 90SL



## 91M - 96M





# 91P - 92P, 92P2, 92P4

91P	92P	92P2	92P4
15 s <input type="checkbox"/>	60 s <input type="checkbox"/>	120 s <input type="checkbox"/>	130 s <input type="checkbox"/>
30 s <input type="checkbox"/>	90 s <input type="checkbox"/>	180 s <input type="checkbox"/>	260 s <input type="checkbox"/>
45 s <input type="checkbox"/>	120 s <input type="checkbox"/>	240 s <input type="checkbox"/>	390 s <input type="checkbox"/>
15 s <input type="checkbox"/>	60 s <input type="checkbox"/>	120 s <input type="checkbox"/>	130 s <input type="checkbox"/>
30 s <input type="checkbox"/>	90 s <input type="checkbox"/>	180 s <input type="checkbox"/>	260 s <input type="checkbox"/>
45 s <input type="checkbox"/>	120 s <input type="checkbox"/>	240 s <input type="checkbox"/>	390 s <input type="checkbox"/>

	Reverse <input type="checkbox"/>
	Reverse <input type="checkbox"/>

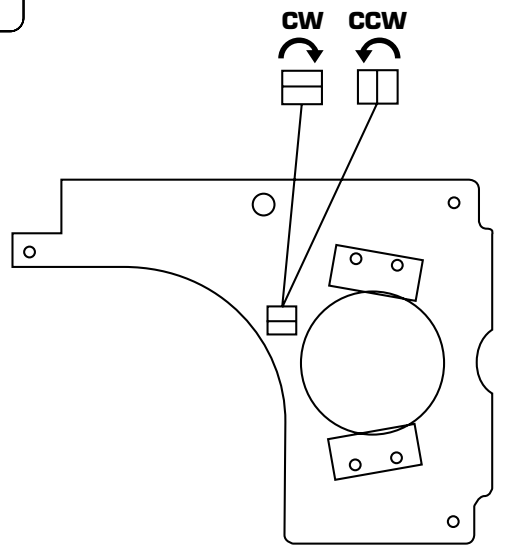
0-20 mA	OFS <input type="checkbox"/>
	DIV <input type="checkbox"/>
	CUR <input type="checkbox"/>
4-20 mA	OFS <input type="checkbox"/>
	DIV <input type="checkbox"/>
	CUR <input type="checkbox"/>

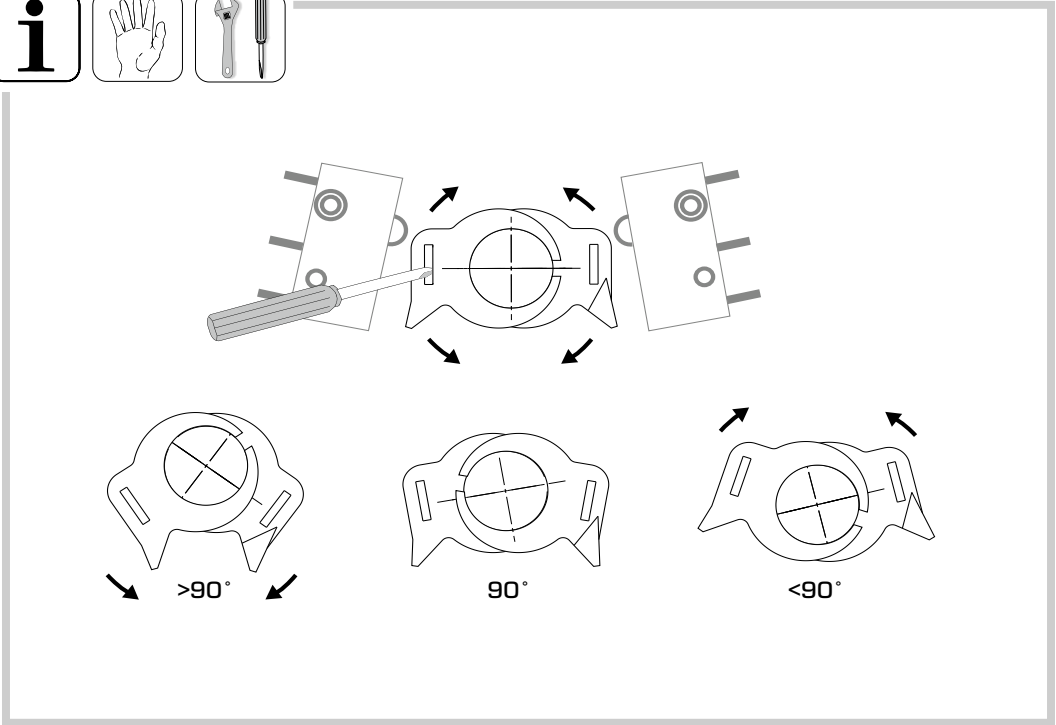
0-10 V	OFS <input type="checkbox"/>
	DIV <input type="checkbox"/>
	CUR <input type="checkbox"/>
2-10 V	OFS <input type="checkbox"/>
	DIV <input type="checkbox"/>
	CUR <input type="checkbox"/>

0-5 V	OFS <input type="checkbox"/>
	DIV <input type="checkbox"/>
	CUR <input type="checkbox"/>
1-5 V	OFS <input type="checkbox"/>
	DIV <input type="checkbox"/>
	CUR <input type="checkbox"/>

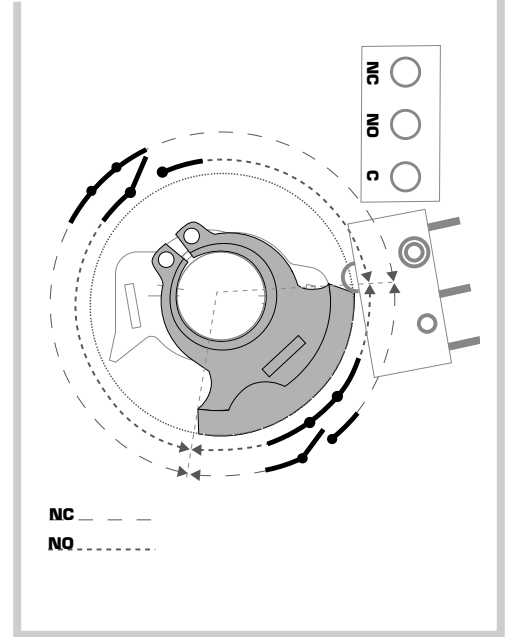


## 97 - 98

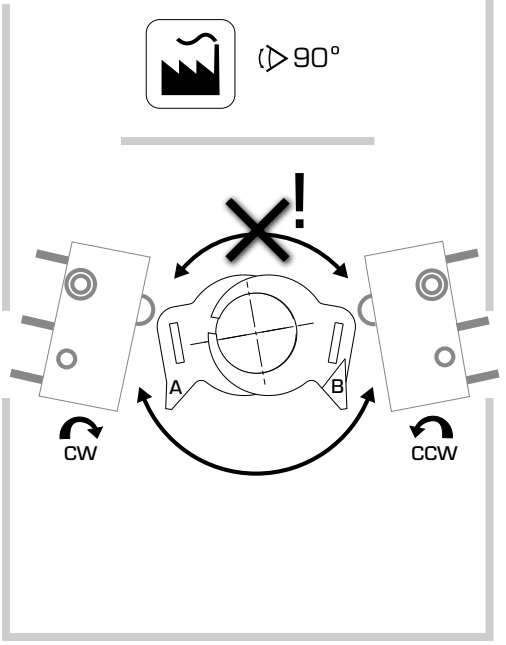




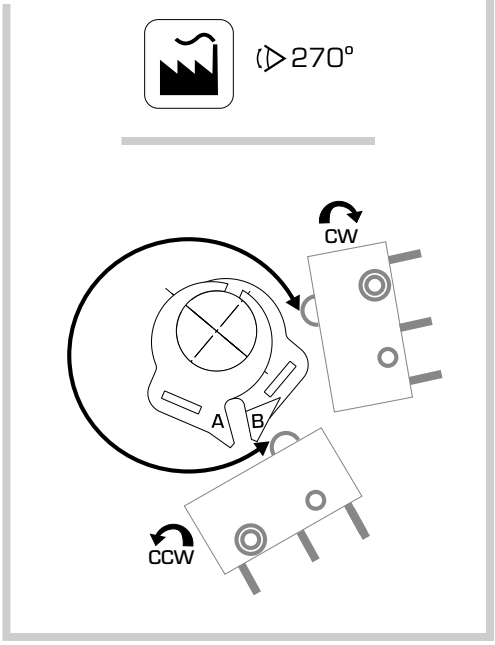
**91M-96M,  
95-270M**



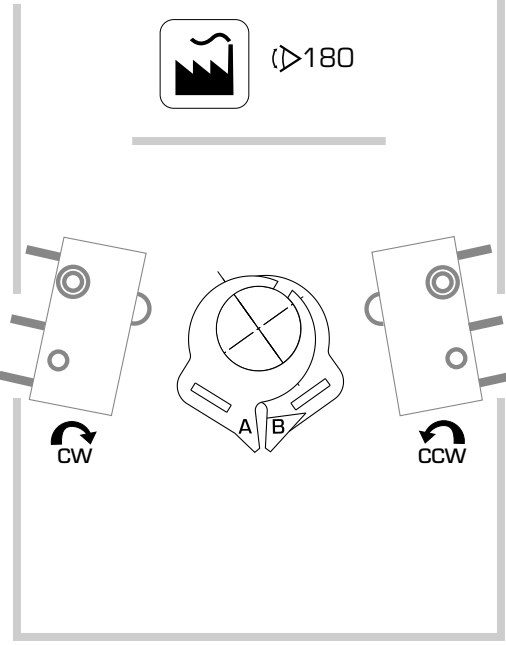
**91-96, 91M-96M,  
90SL, 97-98**



**95-270M**



**92P2**



**92P4**

